

# MULTIPANEL CUSTOM SHOWER BASE ORDER FORM

## DISTRIBUTOR TO FILL OUT

Please send this form direct to MULTIPANEL

EMAIL: orders@multipanel.com.au

FAX: 03 9787 9582

ORDER DATE:     /     /	DISTRIBUTOR NAME:
DATE REQUIRED:   /     /	DISTRIBUTOR ADDRESS:

PO NUMBER:	CONTACT NAME:	PHONE:
------------	---------------	--------

..... DATE:     /     /  
**Name of Contractor/Builder**

..... DATE:     /     /  
**Signature**

..... DATE:     /     /  
**Name of Authorized Representative**

..... DATE:     /     /  
**Signature**

- / Allow a minimum of 5 business days for the custom kit to arrive in store.
- / Make sure all measurements are correct as NO responsibility will be taken for incorrect sizing of the bases if they are made to the specifications provided on this form.
- / The MULTIPANEL custom shower base kit is strictly subject to the Conditions of Warranty of the MULTIPANEL Wet Area installation guide (which are in addition to and do not displace the MULTIPANEL Terms and Conditions of Sale). For a copy of these please contact MULTIPANEL on (03) 9787 2544 or info@multipanel.com.au

**MULTIPANEL**

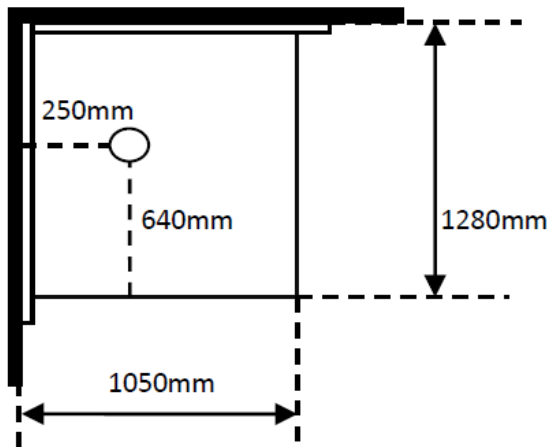


Waterproof  
 Building  
 Panels

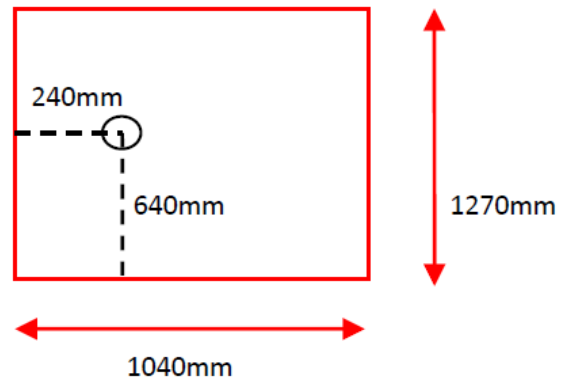
MultiPanel Pty Ltd  
 Level One 110 Mt Eliza Way  
 Mt Eliza VIC Australia 3930  
 Phone +61 3 9787 2544  
 Fax +61 3 9787 9582  
 Email info@multipanel.com.au  
 www.multipanel.com.au

**WORKING EXAMPLE**

// DETAIL INCLUDED IN THE DRAWING



// THEREFORE SHOWER BASE WILL BE



**PLEASE NOTE**

- / MULTIPANEL upstands are attached to the shower base; therefore, you MUST allow 10mm for each upstand you require. (Example is shown above).
- / For best practice MULTIPANEL recommend the minimum measurement off any wall is required to be 200mm.

**PLEASE INDICATE**

- / Waste position and measurements
- / Shower base measurements
- / Shower base Quantity in box provided

<p><b>(LH)</b> Qty <input style="width: 40px;" type="text"/></p>	<p><b>(RH)</b> Qty <input style="width: 40px;" type="text"/></p>
<p><b>(3 Wall)</b> Qty <input style="width: 40px;" type="text"/></p>	<p><b>(1 Wall)</b> Qty <input style="width: 40px;" type="text"/></p>